

ÅLAND'S XXXII ORGAN FESTIVAL 25 JUNE - 1 JULY, 2006



"The Ålandic veteran", the oldest music event of the province, has reached its fourth decade. After the successful jubilee year of 2005, the festival continues with new high-class concerts and artists from Åland, the Nordic countries and Central Europe.

In the opening concert at Finström Church we hear the ambitious Hungarian choir Viadana Kamarakórus. The choir also sings in the Sunday service in Sund, and in Föglö on Monday. The organist in all three concerts is Adam Kiss. On Monday 26 June there is a concert for families with children at St Göran Church with organist Katrin Meriloo and percussionist John Burmeister. We learn about the organ and see how the different percussions are played. The first organ concert of the festival is given by Katrin Meriloo at Jomala Church at 8 p.m. Both musicians also perform on Tuesday in the concert on Kumlinge island.

The festival continues in Mariehamn with the talented organist of Berlin's Kaiser Wilhelm Memorial Church, Wolfgang Seifen, who gives an improvised concert. The programme includes his own arrangements of well-known works in different styles as well as improvisations after themes suggested by the audience. On Wednesday there is the 'Italian day' when the festival is visited by two organists from Rome and Naples: Marco Lo Muscio and Emanuele Cardi. The first concert presents contemporary music while the evening concert is more traditional - a great chance to compare the two Italians!

On Thursday there is a concert with professor Johan Hermans of Belgium at Saltvik Church. He is the titular organist at Heilig-Herz Church in Hasselt with one of the historic Cavallé-Coll organs. In Sund and Sottunga we hear the Ålandic tenor Mikael Fagerholm in concert, accompanied by Kaj-Erik Gustafsson of Espoo. Both are well-known by the audience and give an interesting concert for all music-lovers.

The festival's final concert takes place at St Göran Church in Mariehamn. Cathedral organist Marek Stefanski from Wawel Cathedral in Kraków presents a very interesting programme.

Sunday 25 June at 11.00 SUND, St John's Church

SUNDAY SERVICE Stefan Snellman, celebrant, Viadana Kamarakórus, Gergely Kurucz, conductor, Ádám Kiss, organ

Sunday 25 June at 20.00 FINSTRÖM, St Michael's Church

OPENING CONCERT Viadana Kamarakórus, Gergely Kurucz, conductor, Dunaújváros, Hungary, Ádám Kiss, organ

Monday 26 June at 13.00 MARIEHAMN, St Göran Church

FAMILY CONCERT on organ and percussions Katrin Meriloo, Övertorneå, Sweden, John Burmeister, percussions, Espoo

Monday 26 June at 20.00 JOMALA, St Olav's Church

ORGAN CONCERT Katrin Meriloo, organ, Övertorneå, Sweden

Monday 26 June at 20.00 FÖGLÖ, Sta Maria Magdalena Church

CONCERT Viadana Kamarakórus, Gergely Kurucz, director, Dunaújváros, Hungary, Ádám Kiss, organ, Mariehamn

Tuesday 27 June at 20.00 MARIEHAMN, St Göran Church

IMPROVISATION CONCERT Wolfgang Seifen, Berlin, Germany

Tuesday 27 June at 20.00 KUMLINGE, Sta Anna Church

RENAISSANCE AND BAROQUE MUSIC Katrin Meriloo, organ, Övertorneå, Sweden, John Burmeister, percussions, Espoo

Wednesday 28 June at 13.00 MARIEHAMN, St Göran Church

"ORGAN VISIONS" Marco Lo Muscio, Rome, Italy

Wednesday 28 June at 20.00 MARIEHAMN, St Göran Church

ORGAN CONCERT Emanuele Cardi, Naples, Italy

Thursday 29 June at 20.00 SALTVIK, Sta Maria Church

ORGAN CONCERT Johan Hermans, Hasselt, Belgium

Friday 30 June at 20.00 SUND, St John's Church

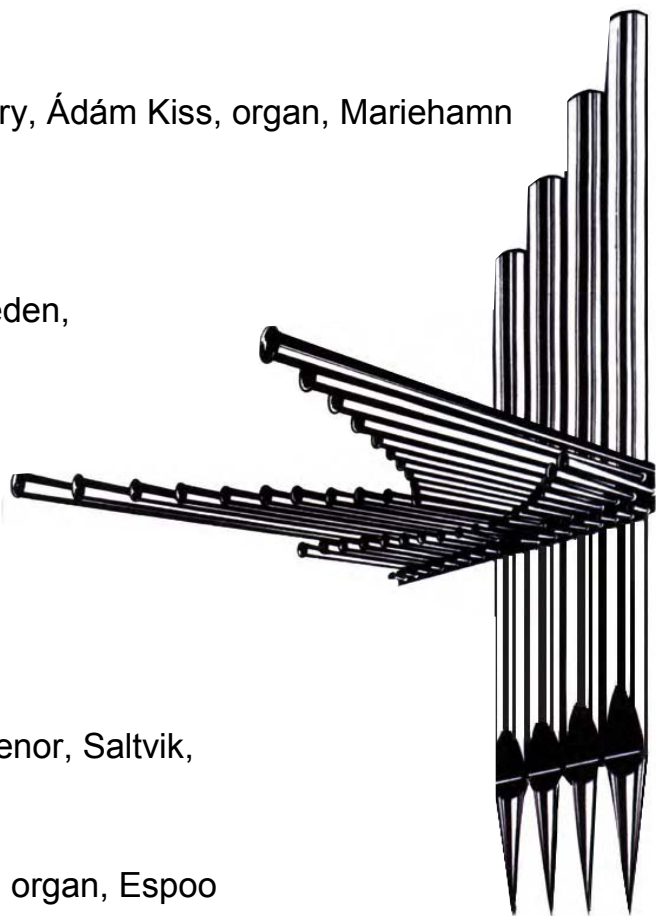
ORGAN & SONG Annika Ollinkari, mezzo soprano, Helsinki, Mikael Fagerholm, tenor, Saltvik, Annikka Konttori-Gustafsson, piano, Espoo, Kaj-Erik Gustafsson, organ, Espoo

Saturday 1 July at 14.00 SOTTUNGA, Sta Maria Magdalena Church

"TUNES OF CHORALES" Mikael Fagerholm, tenor, Saltvik, Kaj-Erik Gustafsson, organ, Espoo

Saturday 1.7 at 20.00 MARIEHAMN, St Göran Church

FINAL CONCERT Marek Stefanski, organ, Kraków, Poland



Programmes à 10/15 EUR sold at the entrance. For transports from Mariehamn, ph. +358 400 796 307 (not to the archipelago concerts).